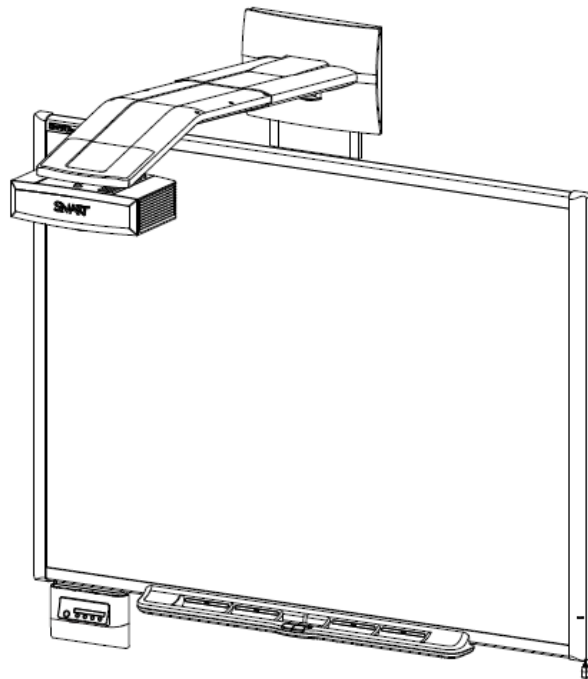


SMART™



Service Parts Diagrams

For Model:

UF55

UF55w

UF55-RFK-500

Service Parts Diagrams Revision History

Revision 1 - April, 2009

- New document

Revision 2 - June, 2009

- Add 30-01177-20
- Change remote control battery part number from CR-2032 to CR-2025

Revision 3 - August, 2009

- Add 52-00633-20
- Add UF55-RFK-500

Standard Warranty Terms

The projector and extended control panel (ECP) have a three-year limited equipment warranty. The Unifi 55 projector lamp has a 500 hour/90 day warranty.

First Customer Ship: January, 2009

SMART Technologies

3636 Research Road NW
Calgary, AB T2L 1Y1
CANADA

Support +1.403.228.5940 or Toll Free 1.866.518.6791 (Canada/U.S.)

Support Fax +1.403.806.1256

ServiceParts@smarttech.com www.smarttech.com



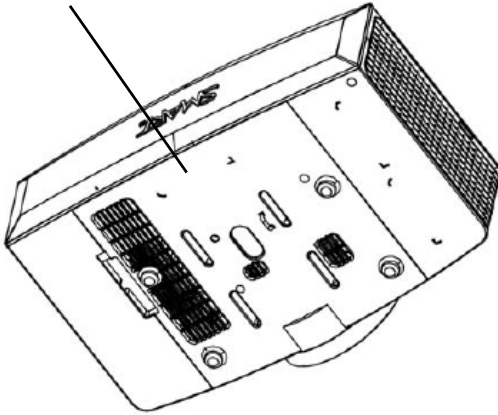
Service Parts Diagrams for the UF55, UF55w and UF55-RFK-500

- Identifying Your Product Using the Serial Number 1
- Ordering Parts 1
- UF55/UF55w Mount and Documentation 2
- UF55/UF55w Connection Cables, Hardware and Projector Accessories 3
- Optional Parts Kit for SMART Board 560 and 580 Interactive Whiteboards and UF55 Projectors (Part No. UF55-RFK-500) 4

Identifying Your Product Using the Serial Number

To make sure that you have the correct service parts diagrams, you must verify the serial number of your Unifi 55 Projector. When mounted on the boom the serial number will be visible on the top of the projector. An example of the serial number format is shown below.

Serial Number Location



B012AL1800643

Unique Serial Number

Ordering Parts

Customers

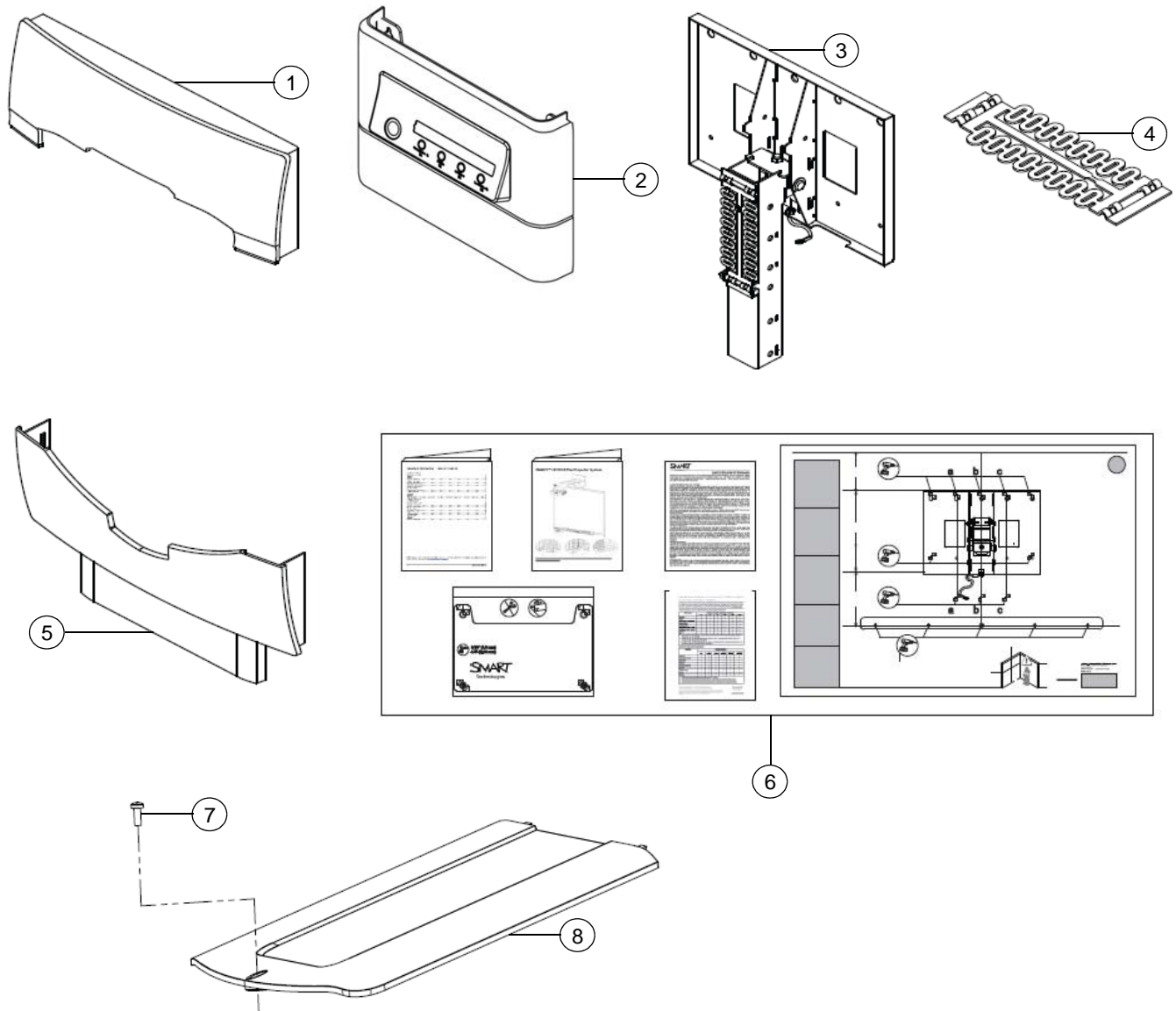
To order any of the parts in these service parts diagrams, contact your local reseller. To find a reseller near you, visit www.smarttech.com/where.

Dealers and Distributors

For specific technical and pricing enquiries in regards to these diagrams please contact our service parts department. Pricing is also available on-line via the SOURCE website (source.smarttech.com).

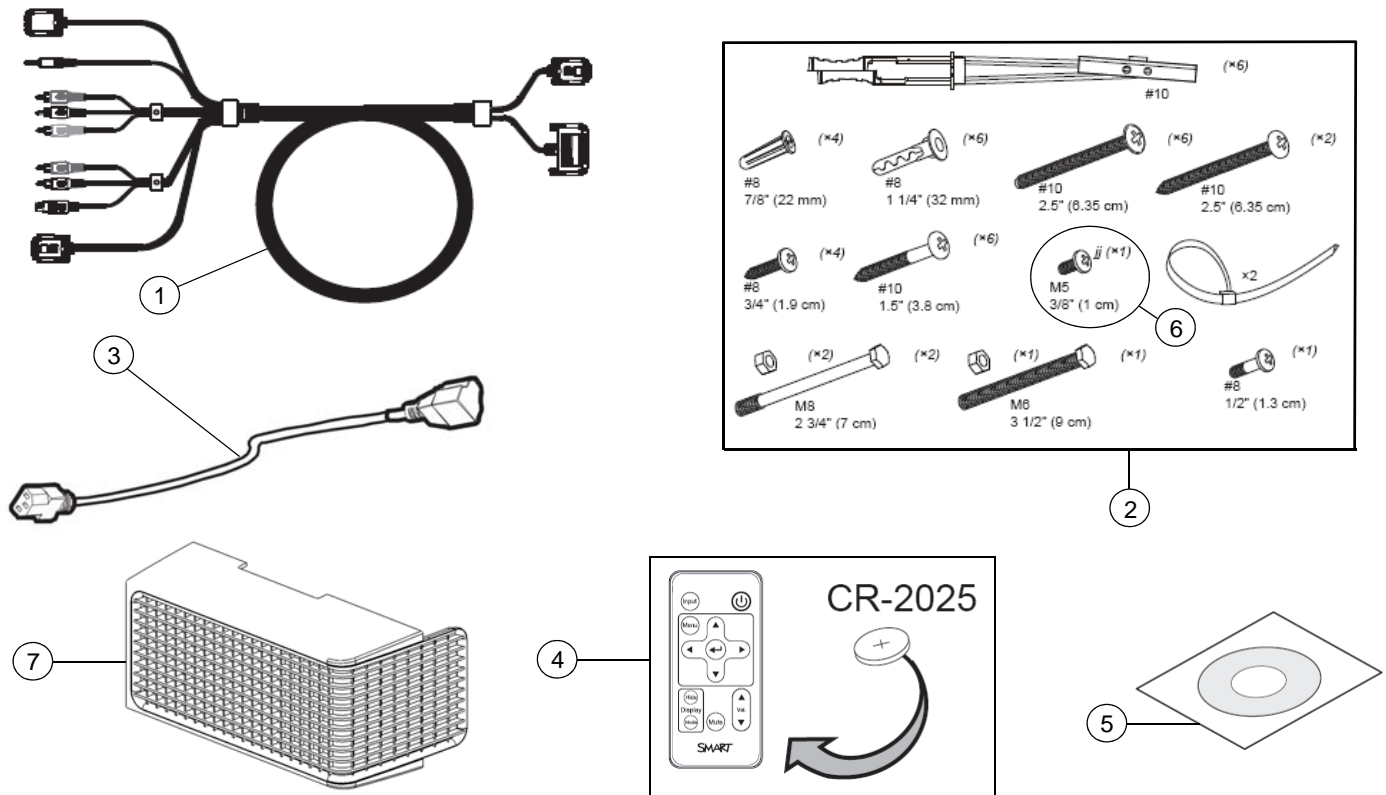
E-mail: serviceparts@smarttech.com
Phone: 1.888.42.SMART
International: +1.403.245.0333

UF55/UF55w Mount and Documentation



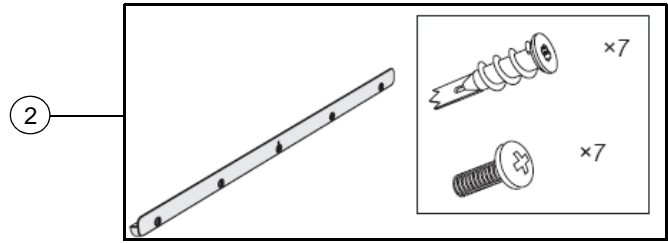
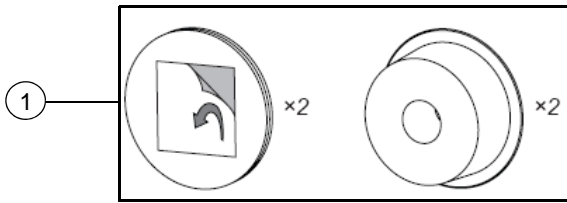
Item	Part No.	Qty	Description
1	52-00611-20	1	Base, upper wall
2	20-01005-20	1	Assembly, extended connection panel (ECP)
3	20-01016-21	1	Assembly, boom, rear
4	51-00735-21	1	Strap, limit NOTE: Contact Technical Support to discuss replacement.
5	52-00612-20	1	Base, lower wall
6	20-01009-20	1	Kit, documentation
7	30-01190-20	1	Screw, M4 x 12 mm, Phillips, pan head
8	52-00605-20	1	Access door, projector position adjustment

UF55/UF55w Connection Cables, Hardware and Projector Accessories



Item	Part No.	Qty	Description
1	93-00673-21	1	Cable, harness, extended connection panel (ECP), UF55/UF55w
2	20-01017-20	1	Kit, mounting hardware
3	93-00630-20	1	Cable, power, North America, 14' 9" (4.5 m)
3	93-00632-20	1	Cable, power, United Kingdom, 14' 9" (4.5 m)
3	93-00631-20	1	Cable, power, Europe, 14' 9" (4.5 m)
3	93-00629-20	1	Cable, power, Australia, 14' 9" (4.5 m)
3	93-00634-20	1	Cable, power, Japan, 14' 9" (4.5 m)
4	03-00131-20	1	Remote control NOTE: Battery not included with replacement remotes.
5	20-01033-20	1	CD, user manual, UF55/UF55w projector
6	30-01177-20	1	Screw, M5 x 10 mm, Phillips, pan head NOTE: For attaching the projector to the boom.
7	52-00633-20	1	Cover, cable, UF55/UF55w projector NOTE: Comes attached to the UF55/UF55w projector.
Not shown	20-01032-20	1	Replacement Lamp for UF55 and UF55w Projectors

Optional Parts Kit for SMART Board 560 and 580 Interactive Whiteboards and UF55 Projectors (Part No. UF55-RFK-500)



Item	Part No.	Qty	Description
1	20-00963-20	1	Kit, spacer
2	FRU-SB6WM	1	FRU, wall mount kit